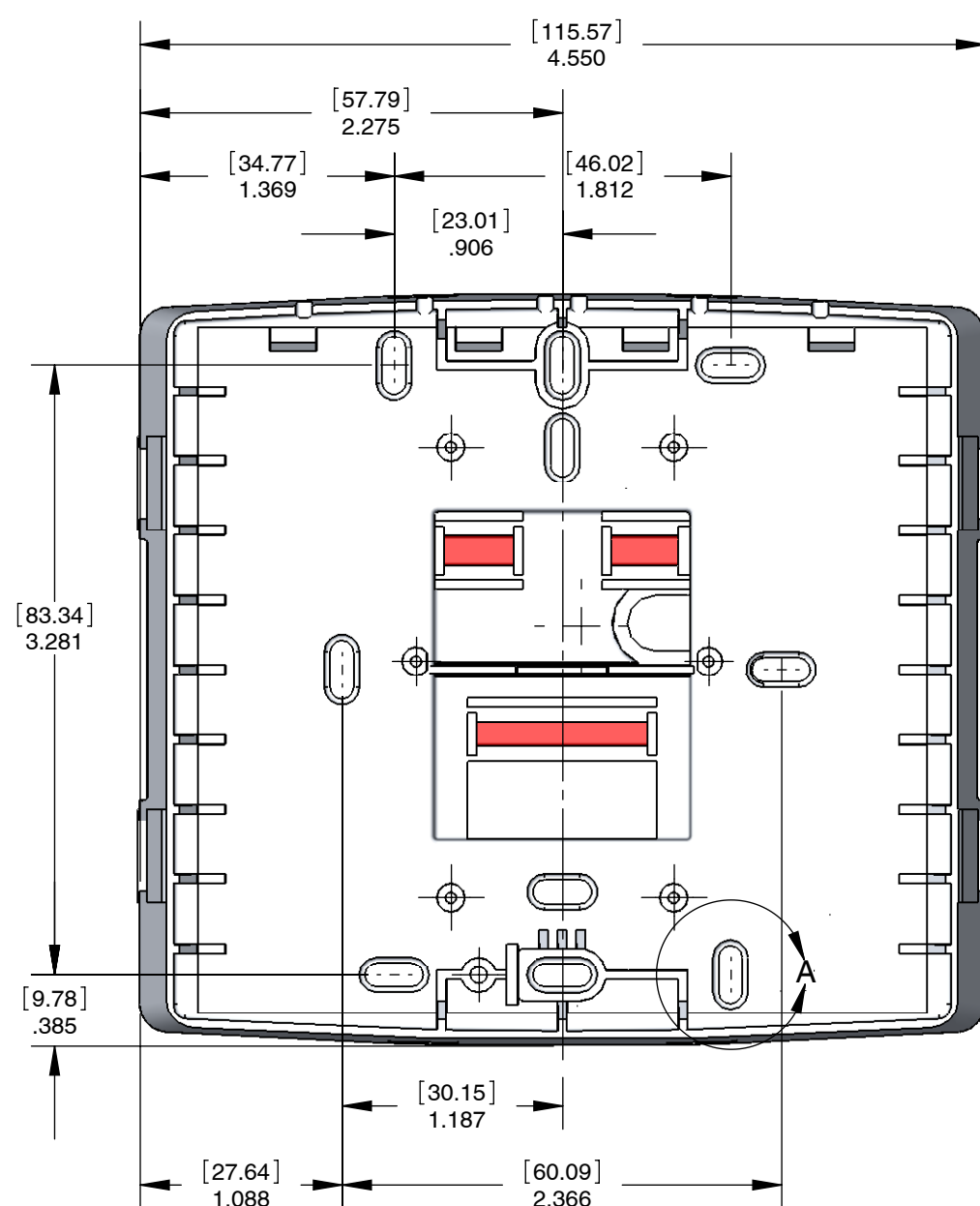
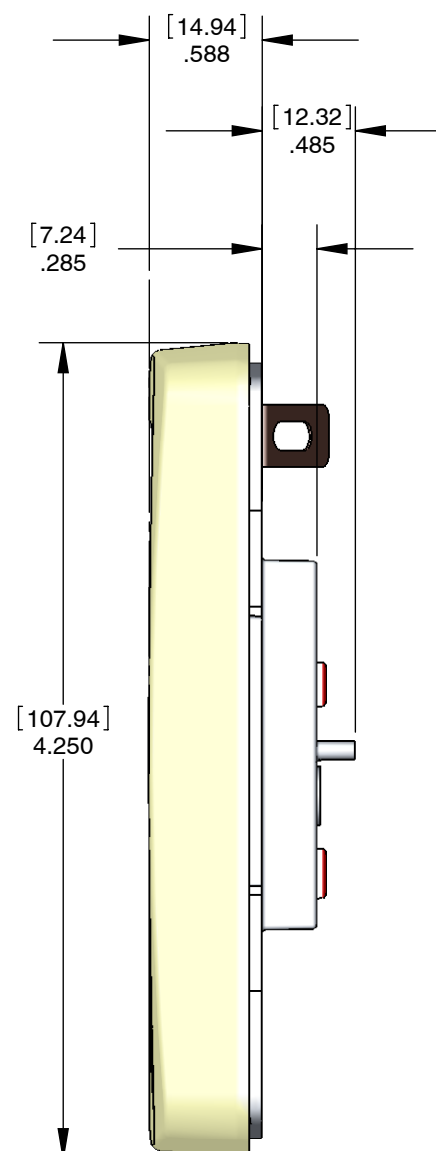


FACE PLATE
TYP. SIZE USED ON 354002, 354016 & 354017



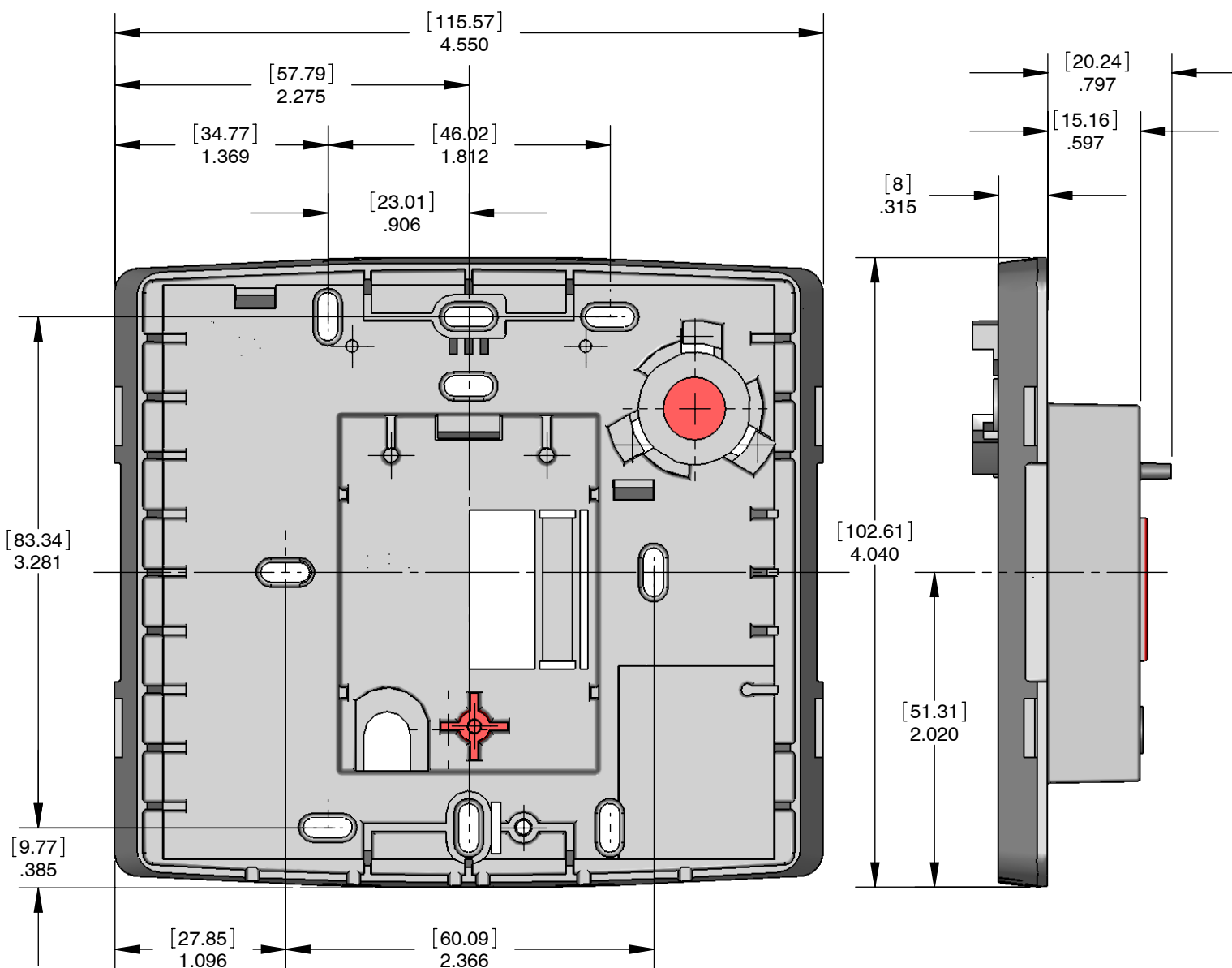
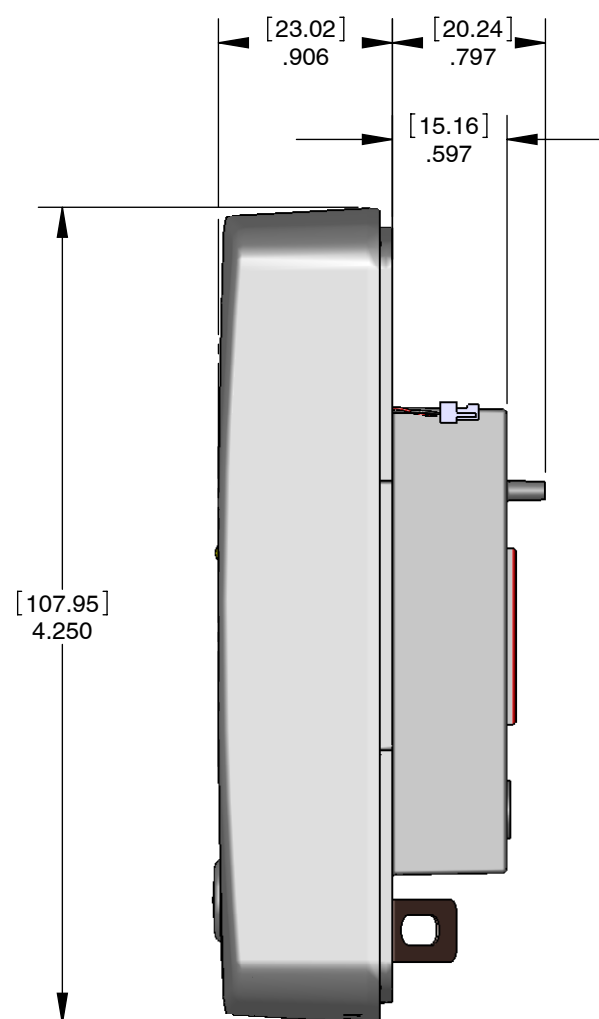
BASE PLATE
USED ON (354002, 354016 & 354017)

IMPORTANT:
WHEN INSTALLING BASE PLATE TO BACK BOX
DO NOT OVERTORQUE SCREW TO PREVENT DEFORMATION OF PART.

TITLE R5-INSTALLATION (Bed and Staff Management)		FINISH	
RAULAND-BORG CORP. ENGINEERS SKOKIE, ILLINOIS, U.S.A.	USED ON	RoHS	SCALE: 1:1
	R5	All materials and processes used in the fabrication of the parts described on this drawing are to be RoHS Compliant.	DRN. LJP DATE 11/25/08
	ALL DIMS ARE $\frac{\text{mm}}{\text{inches}}$ UNLESS SPECIFIED. TOLERANCE: ANGLES $\times^\circ = \pm 1^\circ$ DIMS. $\frac{\text{mm}}{\text{.xx}}$ $\pm .40$ $\frac{\text{mm}}{\text{.xxx}}$ $\pm .005$		CHD. APPD. DRG. NO. KZ0665 O



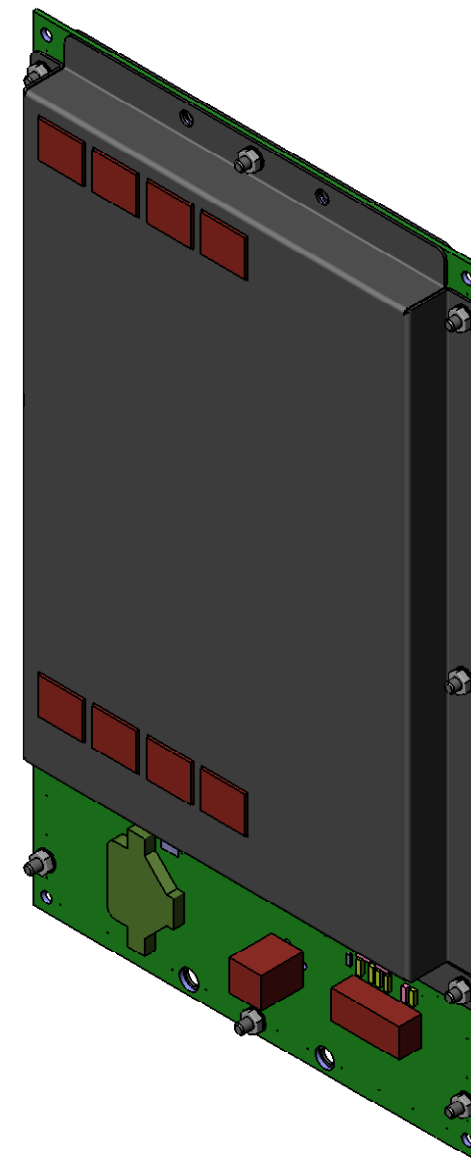
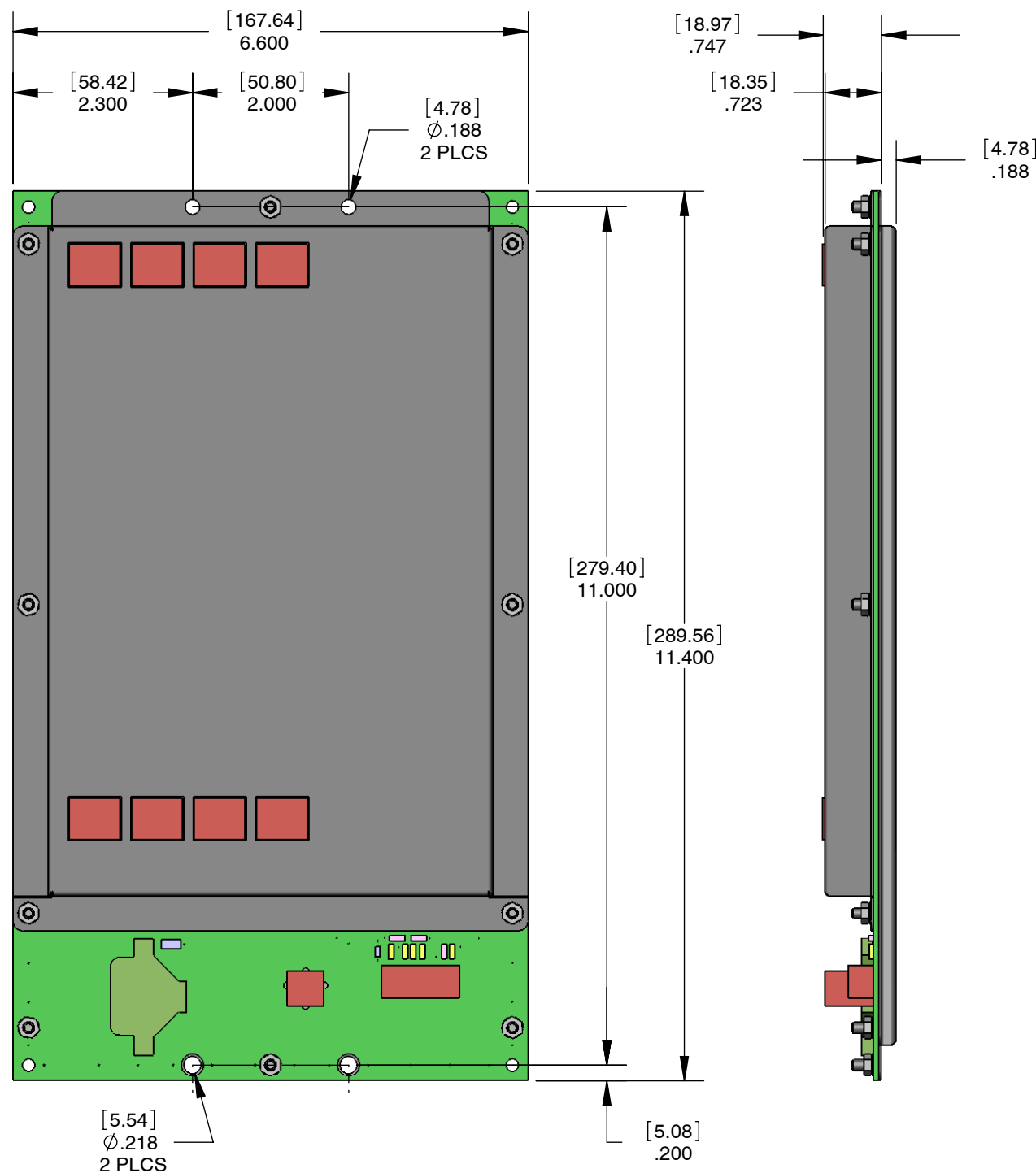
FACE PLATE
TYP. SIZE USED ON (353200 & 354000)



BASE PLATE
USED ON (353200 & 354000)

IMPORTANT:
WHEN INSTALLING BASE PLATE TO BACK BOX
DO NOT OVERTORQUE SCREW TO PREVENT DEFORMATION OF PART.

TITLE R5-INSTALLATION (Audio Pull Cord and Remote Audio Station) FINISH					
RAULAND-BORG CORP. ENGINEERS SKOKIE, ILLINOIS, U.S.A.	USED ON	RoHS	SCALE: 1:1		MATL.
	R5	All materials and processes used in the fabrication of the parts described on this drawing are to be RoHS Compliant.	DRN.	DATE	
	ALL DIMS ARE $\frac{\text{mm}}{\text{inches}}$ UNLESS SPECIFIED. TOLERANCE: ANGLES $x^\circ = \pm 1^\circ$ DIMS. $\frac{\text{mm}}{.xx} = \pm .40$ $\frac{\text{mm}}{.xxx} = \pm .13$ $\frac{\text{mm}}{.xxx} = \pm .005$		LJP	11/25/08	
CHD.	APPD.	DRG. NO.	KZ0665	O	



BUILDING REGIONAL CONTROLLER
MODEL: 351000

TITLE R5-INSTALLATION (BRC and NAM)		FINISH	
RAULAND-BORG CORP. ENGINEERS SKOKIE, ILLINOIS, U.S.A.	USED ON	RoHS	SCALE: 1:2
	R5	All materials and processes used in the fabrication of the parts described on this drawing are to be RoHS Compliant.	DRN. LJP DATE 11/25/08
	ALL DIMS ARE $\frac{\text{mm}}{\text{inches}}$ UNLESS SPECIFIED. TOLERANCE: ANGLES $x^\circ = \pm 1^\circ$ DIMS. $\frac{\text{mm}}{\text{.xx}}$ $\pm .40$ $\frac{\text{mm}}{\text{.xxx}}$ $\pm .13$ $\pm .005$		CH'D.
			DRG. NO. KZ0665 0